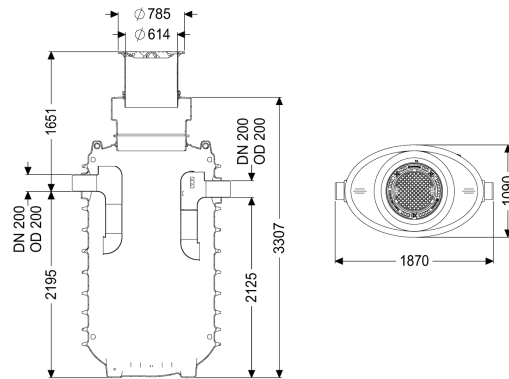


Grease separator EasyClean ground NS 12,5, Standard, 1145-1695 mm, Class D



Article information

Item no.: 95125-170D
 GTIN: 4026092100615
 Price group: 60

Advantages

- Vertically adjustable upper section with odour-tight cover plates in various load classes
- Resistant to groundwater
- Low-maintenance operation

Description

The separator for greasy wastewater is suitable for installation in the ground and comes without metallic structural components in the tank. The collecting tank made of permanently resistant polymer (PE) is equipped with an integrated sludge trap and has a rounded base for fast and clean disposal. Access for cleaning and maintenance work is possible via a service access cover.

Manual disposal is carried out with the tank open.

A load distribution slab must be installed on site for load class D. The reinforcement drawings are part of the EBA and are available from KESSEL.

The tank is groundwater resistant up to ground level (GL). 20 year polyethylene warranty.

Variant

| | |
|---|--|
| Note on installation depth: | Ground installation frost-free depth 1700 mm |
| Disposal variant: | Standard |
| Shredder-Mix-System: | no |
| Sludge bucket: | no |
| Nominal size (NS): | 12,5 |
| SonicControl: | no |
| Refill inlet in accordance with DIN 1988: | no |
| Type of disposal: | manual with suction hose |
| Load-bearing capacity (DIN 19901): | E4 |

General characteristics

| | |
|-------------------------|---|
| Material: | PE |
| Standard: | EN 1825 |
| Installation situation: | underground installation |
| Delivery state: | Installation-ready (connection parts must be connected on site) |

Dimensions

| | |
|-------------------------------|---|
| Net weight: | 375 kg |
| Gross weight: | 375 kg |
| Installation depth: | 1145 - 1695 mm |
| Type of height adjustability: | vertically adjustable upper section, can be tilted by 5 degrees |
| Length: | 1870 mm |
| Width: | 1090 mm |
| Height: | 2795 mm |
| Packaging dimension: | length |
| Packaging dimension: | width |
| Packaging dimension: | height |

Tank/drain body

| | |
|---|---|
| Distance pipe bottom outlet to tank bottom: | 2125 mm |
| Distance pipe bottom inlet to tank bottom: | 2195 mm |
| Outlet nominal size (OD): | 200 mm |
| Outlet nominal size (DN): | 200 mm |
| Inlet nominal size (OD): | 200 mm |
| Inlet nominal size (DN): | 200 mm |
| Connection inlet/outlet sockets: | PE-HD pipes in accordance with DIN 19537, PVC-KG pipes in accordance with DIN 19534, PP or AS |
| Clear width of entry (LW): | 600 mm |

Coverage features

| | |
|------------------|---|
| Type of cover: | Cover plate |
| Cover material: | Grey iron |
| Colour of cover: | black |
| Locking: | Lock & Lift |
| Load class: | D 400 (EN 124) |
| Tightness: | odour-tight and surface water resistant |

Wastewater contents

| | |
|------------------------------|--------|
| Separator contents: | 880 l |
| Max. grease layer thickness: | 475 mm |
| Total volume: | 2130 l |
| Contents of sludge trap: | 1250 l |
| Storage quantity of grease: | 500 l |

Control

| | |
|---------------|----|
| Control unit: | no |
|---------------|----|