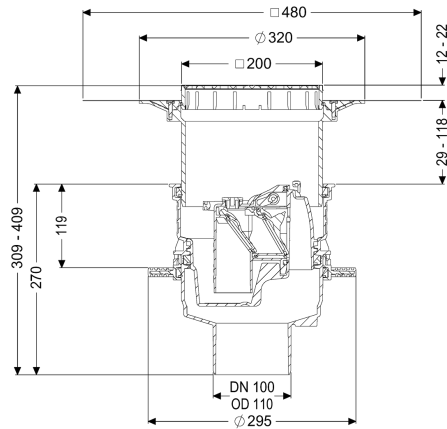
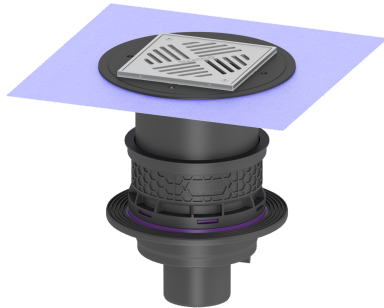


## Universal Plus basement drain ver., Variofix, Backw.valve, Waterpr.concr.



### Article information

Item no.: 27651  
GTIN: 4026092096888  
Price group: 10

### Advantages

- Sustainable due to use of recycled material
- Inlets above the floor slab, no penetration required
- Vertical outlet for easy installation and easy access to the main drainage pipe

### Description

The polymer Universal Plus basement drain is used for drainage of non-faecal wastewater and is equipped with a removable backwater valve with two backwater flaps and a one hand-lockable emergency closure. Including temporary protective cover. The drain is pressure-waterproof up to 0.6 bar (MFPA Leipzig tested) and radon-tight (IAF Radioökologie GmbH tested).

#### Variant

Emergency closure:	yes
Waterproof flange:	Pre-assembled at the factory
Waterproofing layer on the upper section:	Enclosed sealing collar to be glued (bd) according to DIN 18534
Water exposure class in accordance to DIN 18534-1 (up to and including):	W3-I
Sealing water height:	60 mm
Discharge rate (l/s) with 10 mm threshold:	1,6
Discharge rate (l/s) with 20 mm threshold:	1,7
Mechanical backwater flaps:	2
<b>General characteristics</b>	
Colour:	black
Standard:	EN 1253

Nominal size (DN):	100
Type of wastewater:	without sewage
Installation situation:	floor slab installation
Backwater protection:	Type 5
ATEX:	no
<b>Dimensions</b>	
Net weight:	4,37 kg
Gross weight:	4,88 kg
Diameter:	295 mm
Cutout dimension, width:	310 mm
Cutout dimension, length:	310 mm
Adjustment range:	12 - 28
Installation depth:	309 - 408 mm
Type of height adjustability:	vertically adjustable upper section
Height:	270 mm
Packaging dimension:	length
Packaging dimension:	width
Packaging dimension:	height
<b>Tank/drain body</b>	
Socket version:	vertical
<b>Coverage features</b>	
Type of cover:	Slotted cover made of stainless steel
Cover material:	Stainless steel 14301
Colour of cover:	silver
Width of cover:	200 mm
Height of cover:	25 mm
Length of cover:	200 mm
Load class:	K 3 (EN 1253-1)